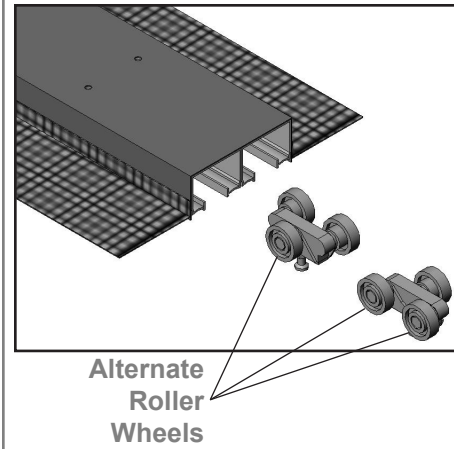
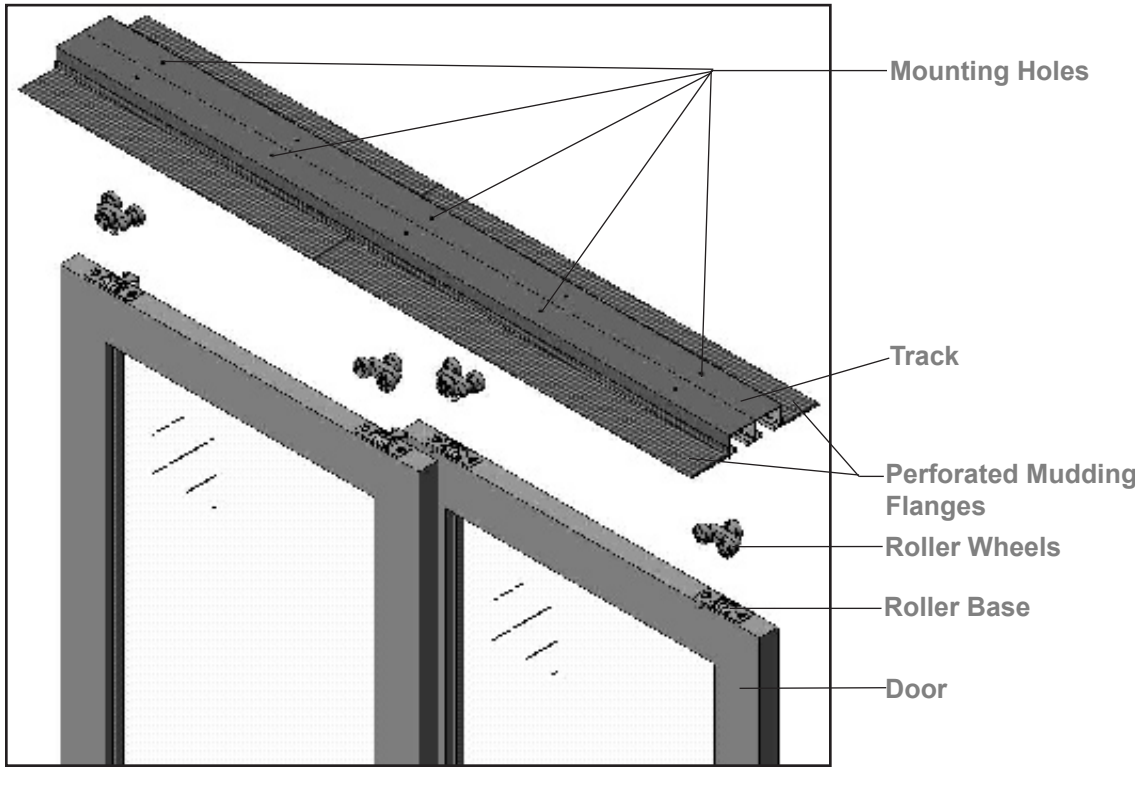


*Read all instructions carefully before installing.

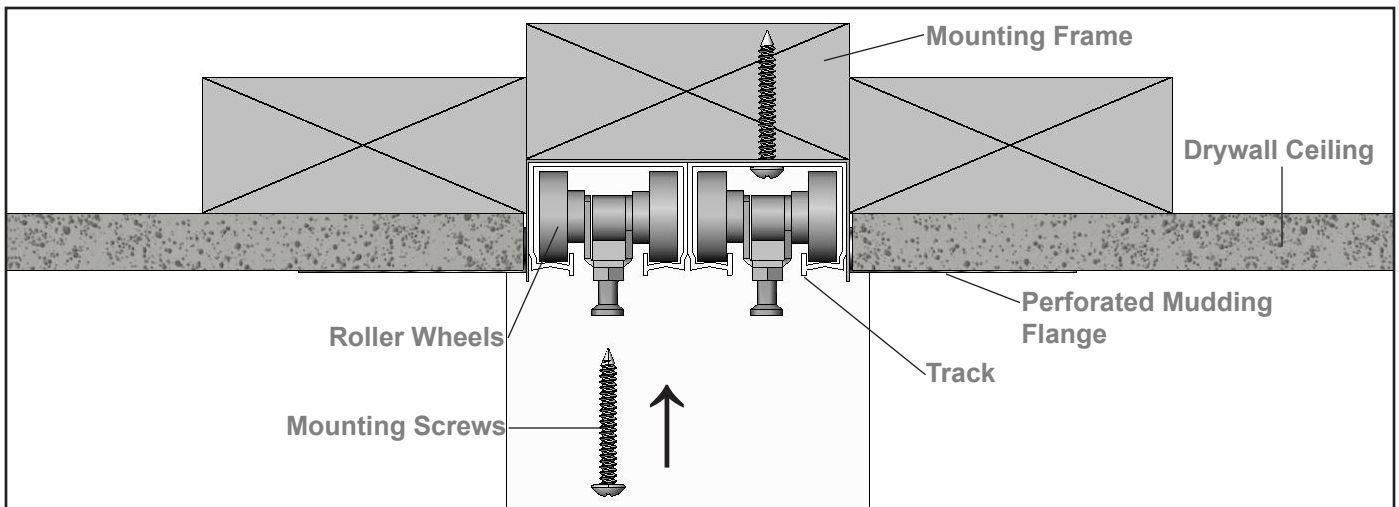
*Warranties may be voided if installation instructions are not accurately followed.

1 Identify Parts.



2 Install Track.

Insert Roller Wheels (2 per Door) into side of Track that each Door will mount on. Insert so that each set of Roller Wheels alternate for even weight distribution (see above, right.) Screw Track into Mounting Frame (typically 2x4, provided by others) using Mounting Screws through the Mounting Holes provided in the Track. The Perforated Mudding Flanges should rest right below Drywall Ceiling.

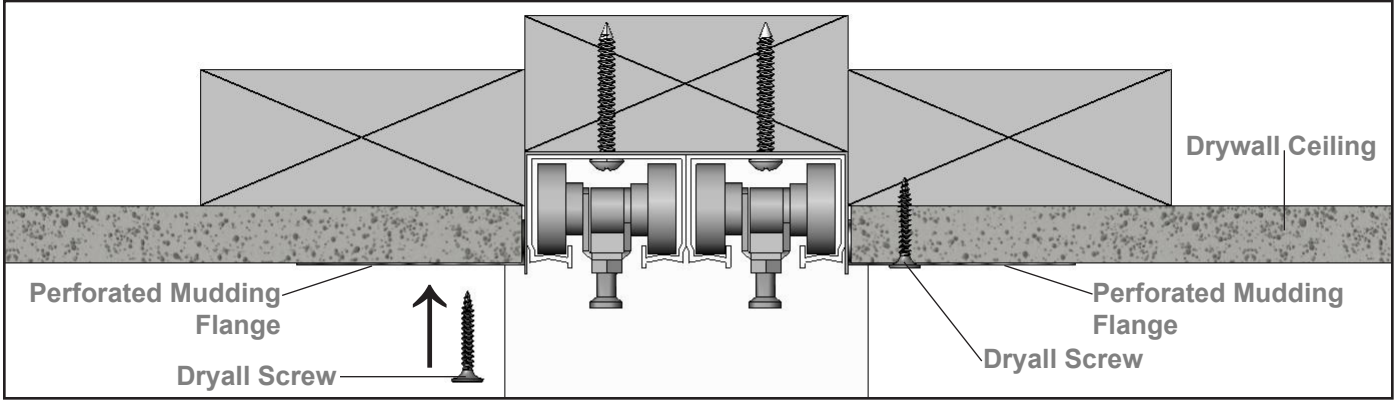


*Installing Contractor/Personnel is responsible for providing secure Mounting Frame/Structure in which to install track. Open | Close Doors is not liable for the installation of door/track systems installed with insufficient Mounting Structures.

openclosedoors.com openclosedoors.com openclosedoors.com openclosedoors.com openclosedoors.com openclosedoors.com openclosedoors.com openclosedoors.com openclosedoors.com openclosedoors.com

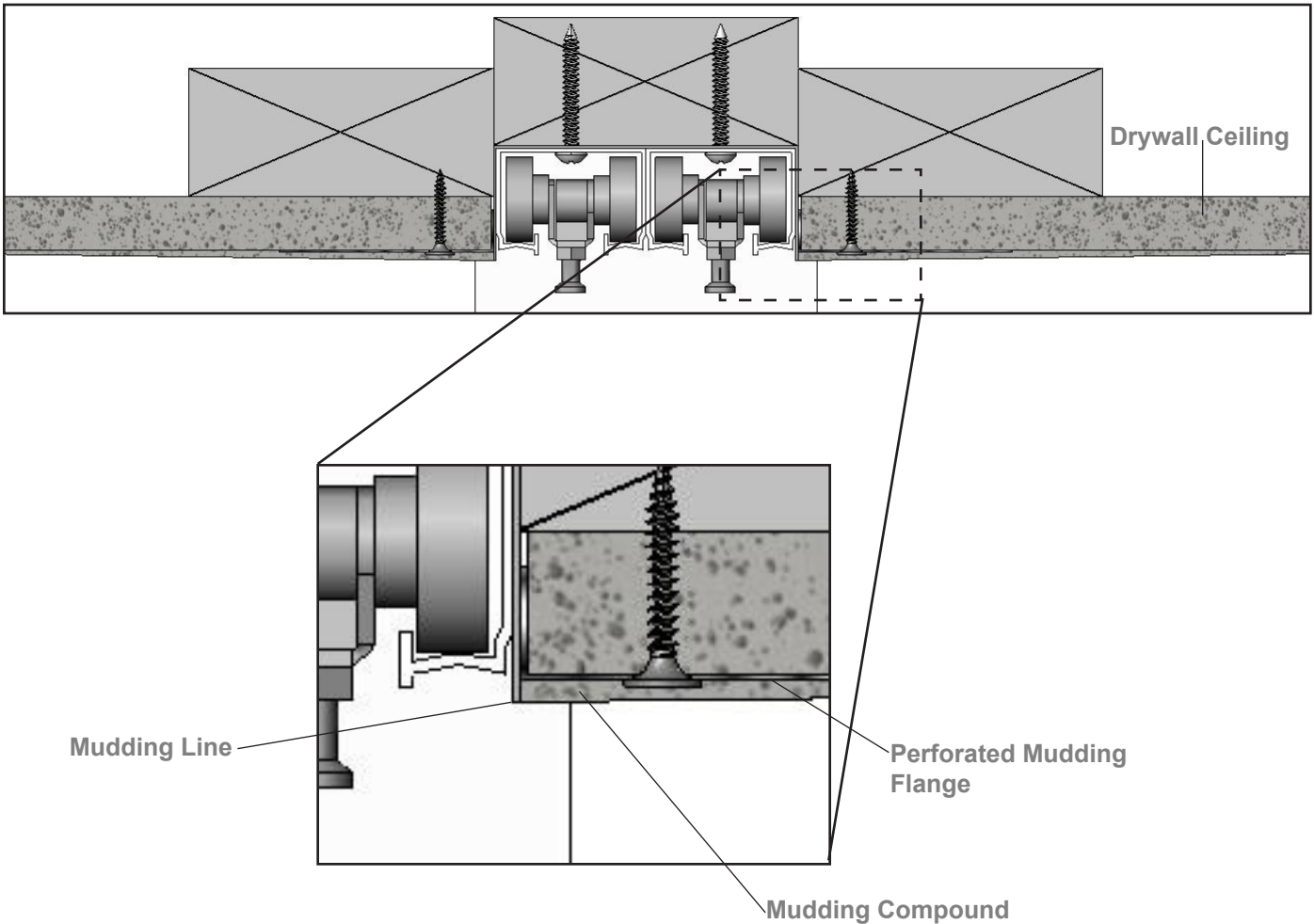
3 Screw Down Mudding Flanges.

Install Drywall Screws through Perforated Mudding Flange, securing to Drywall Ceiling.



4 Apply Mudding Compound.

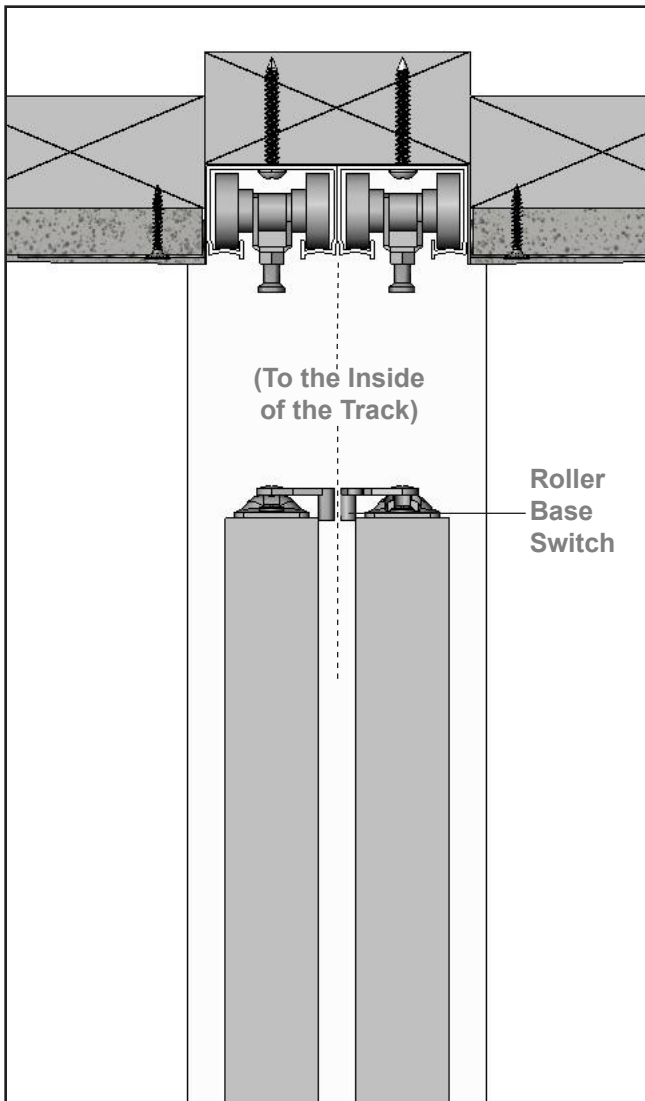
Apply Mudding Compound to Perforated Mudding Flange and Drywall Ceiling and spread away from Mudding Line for a seamless integration as shown below. If painting or finishing, allow Mudding Compound to first completely dry.



openclosedoors.com openclosedoors.com openclosedoors.com openclosedoors.com openclosedoors.com openclosedoors.com openclosedoors.com openclosedoors.com openclosedoors.com openclosedoors.com

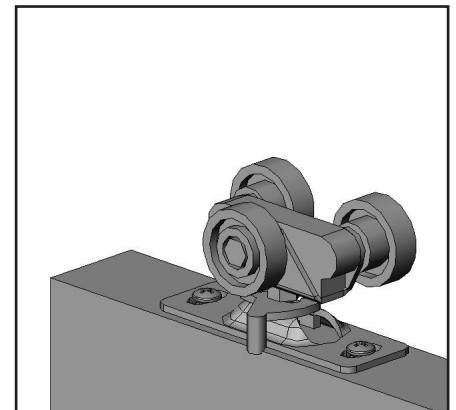
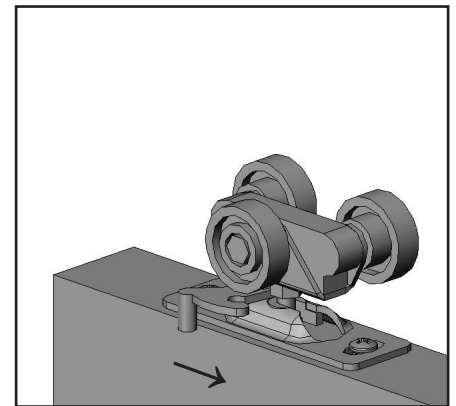
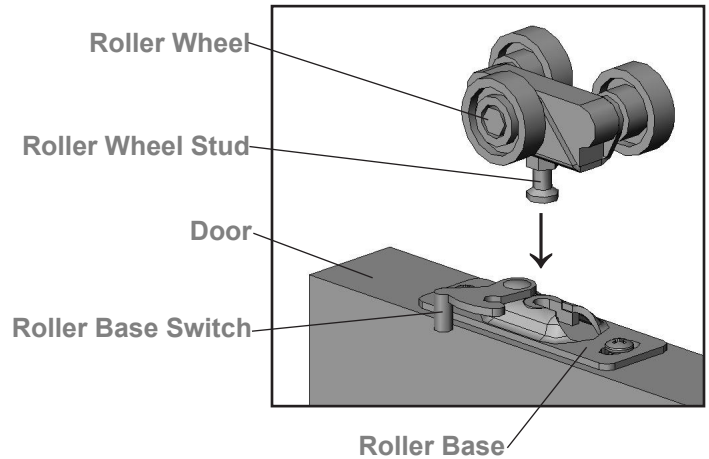
5

Align Doors.
Get ready to install Doors onto Roller Wheels by aligning each door. To do this, make sure the Roller Base Switch is on the interior side of the Track (Side of the Door that passes other Doors).



6

Attach Roller Wheels to Doors.
Lift the Door to the Track (NOT SHOWN) and Insert Roller Wheel Stud into Roller Base. Close Roller Base Switch by moving from left to right. A tight snap should be felt and heard.



7 Installation Complete.

Correct Installation should look as pictured below.

