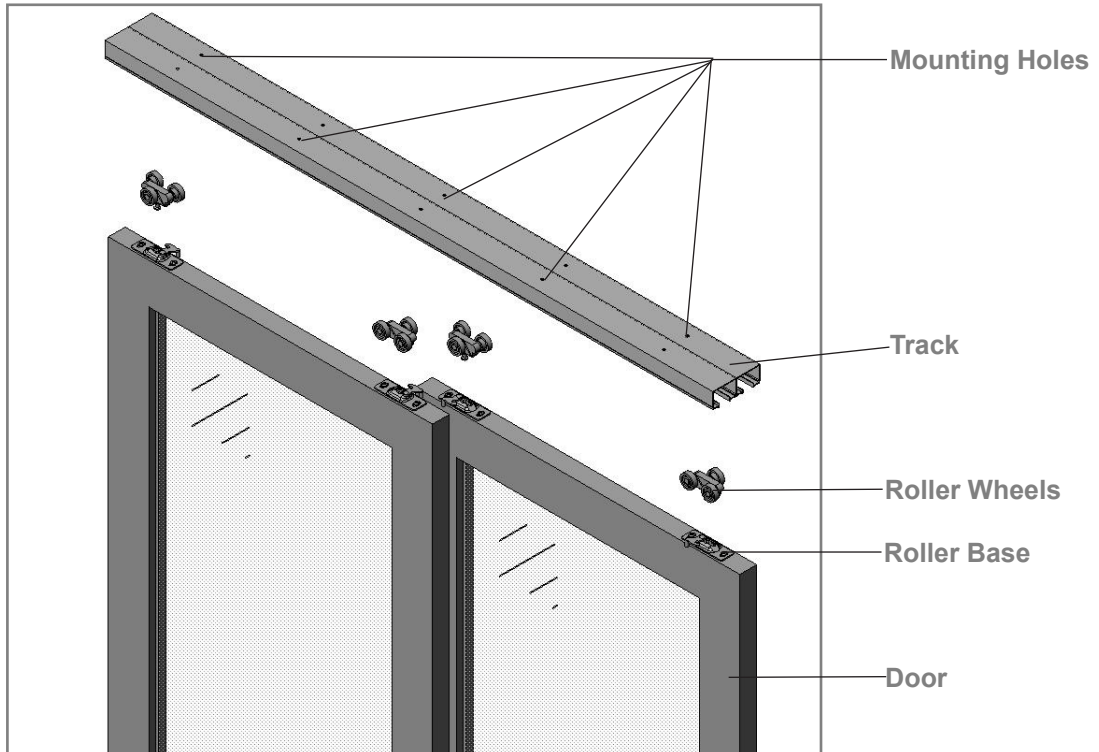


*Read all instructions carefully before installing.

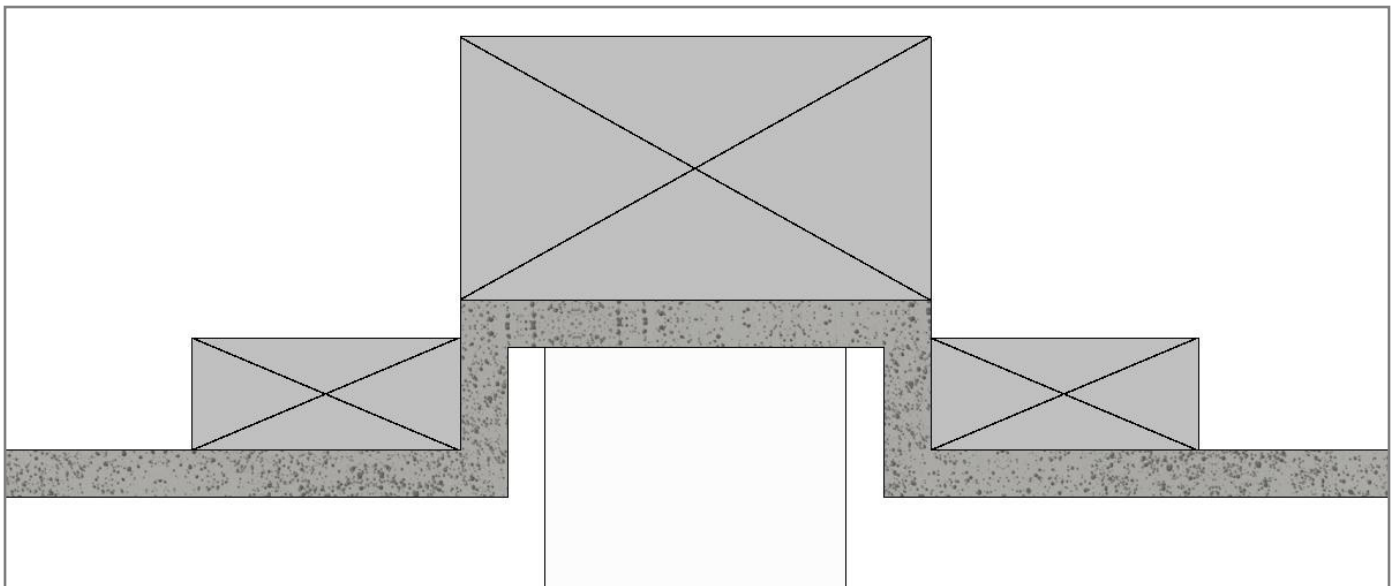
*Warranties may be voided if installation instructions are not accurately followed.

1 Identify Parts.



2 Prepare Framing.

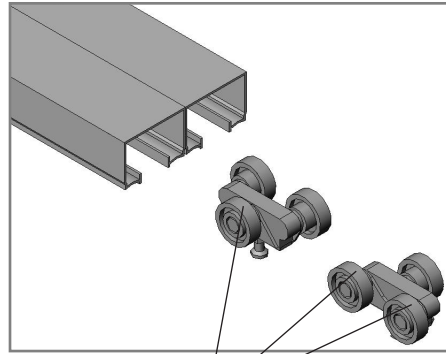
Prepare a recessed channel using adequate framing and finished drywall, or other suitable material.



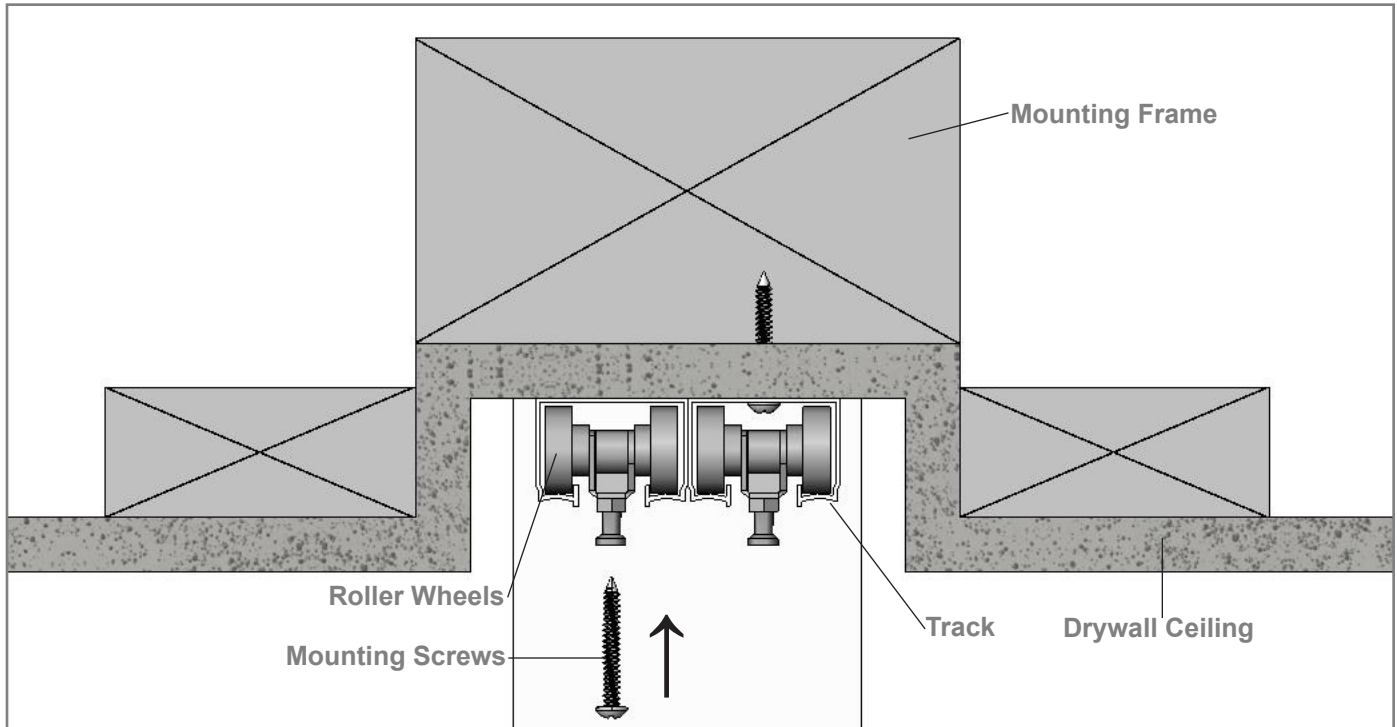
*Installing Contractor/Personnel is responsible for providing secure Mounting Frame/Structure in which to install track. Open | Close Doors is not liable for the installation of door/track systems installed with insufficient Mounting Structures.

openclosedoors.com openclosedoors.com openclosedoors.com openclosedoors.com openclosedoors.com openclosedoors.com openclosedoors.com openclosedoors.com openclosedoors.com openclosedoors.com

3 Install Track. Insert Roller Wheels (2 per Door) into side of Track that each Door will mount on. Insert so that each set of Roller Wheels alternate for even weight distribution (see below.) Screw Track into Mounting Frame (typically 2x4, provided by others) using Mounting Screws through the Mounting Holes provided in the Track.

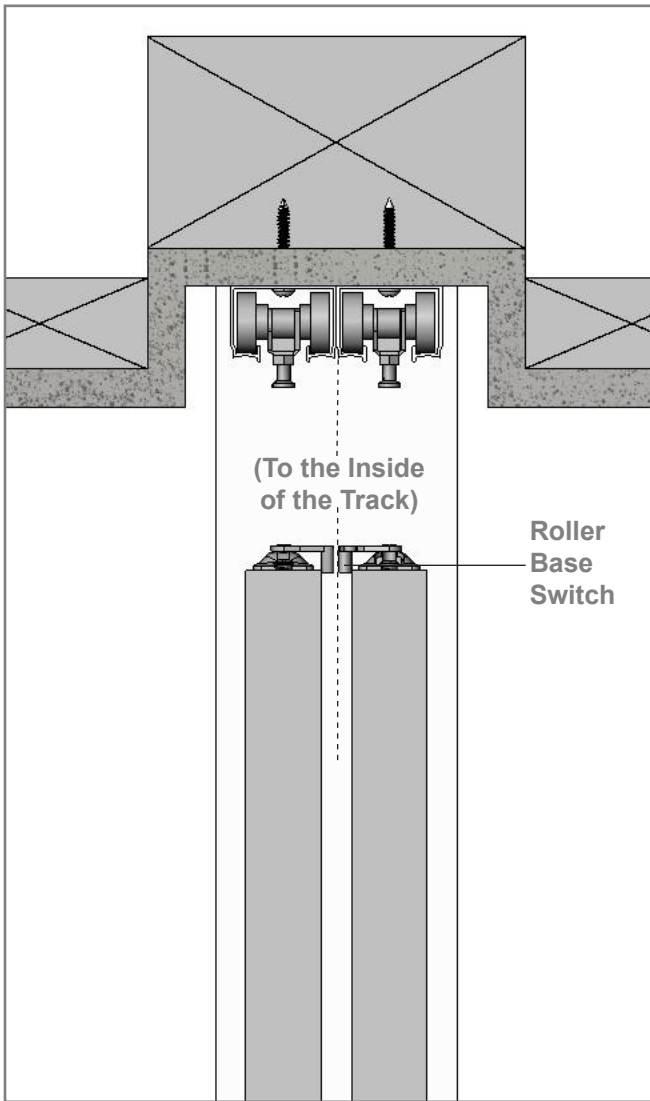


Alternate
Roller
Wheels

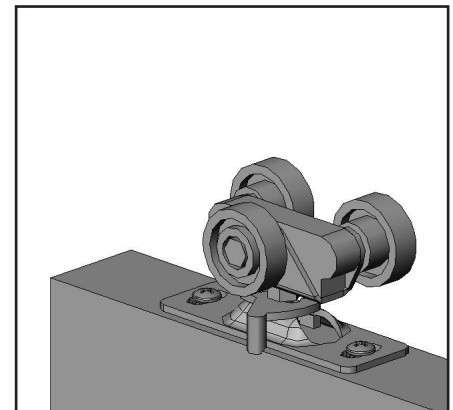
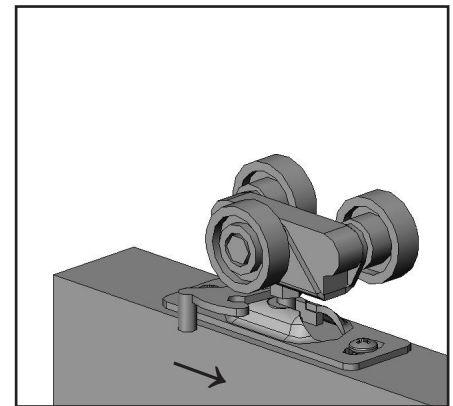
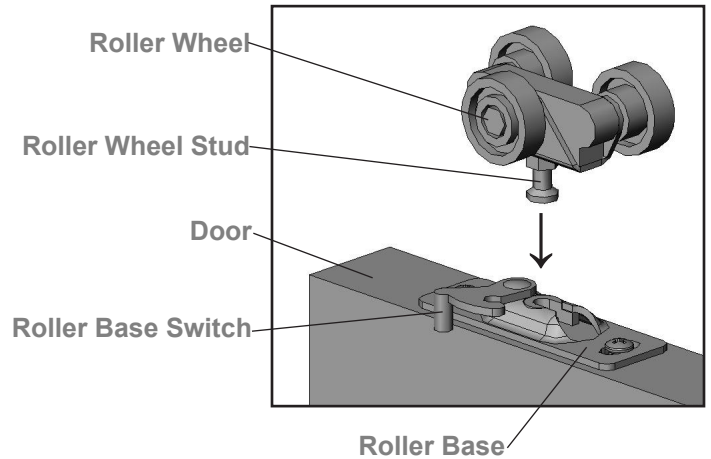


openclosedoors.com openclosedoors.com openclosedoors.com openclosedoors.com openclosedoors.com openclosedoors.com openclosedoors.com openclosedoors.com openclosedoors.com openclosedoors.com

4 **Align Doors.**
Get ready to install Doors onto Roller Wheels by aligning each door. To do this, make sure the Roller Base Switch is on the interior side of the Track (Side of the Door that passes other Doors).



5 **Attach Roller Wheels to Doors.**
Lift the Door to the Track (NOT SHOWN) and Insert Roller Wheel Stud into Roller Base. Close Roller Base Switch by moving from left to right. A tight snap should be felt and heard.



6 Installation Complete.

Correct Installation should look as pictured below.

