

Description

Our Wall Systems are ideal for any sliding wall application. Doors slide on QuietSlide™ Track. '2 Doors, 2 Lines of Track' configuration shown at left. Please see page 2 for other common configurations.

Frame

Clean & simple, yet sleek frame design. Our aluminum extrusion frames are ideal for use in both professional or residential applications. Systems are fully finished on both sides with virtually no visible screws or fasteners. Standard frame size is three inches wide. Overall thickness is one and three-eighths inches.

Interlayer

Our Woodgrain Interlayers are made from premium solid surface laminated panels. Each are super-durable with superior resistance to wear and impact. Surface finish simulates an expertly sanded and multi coat satin finish often found on upper class wood products. This finish is stain and fade resistant (sunlight) and easy to clean. Each panel is sourced from materials with a high percentage of pre-consumer recycled content and support regional materials credit for LEED® building projects along the West Coast.

Frame Finish

Aluminum frames are offered in high-quality, durable anodized or powder coat finishes: Anodized Aluminum, Dark Espresso, Snow White and Knight Black. Custom powder coat colors are available.

QuietSlide™ Track

Overhead track suitable for surface or recessed mounting. The QuietSlide Track System ensures a smooth roll and quick installation. Aluminum extrusion with mounting holes and a design that ensures track wheels will never jump their tracks. All track hardware is included.

- Standard. Surface mounted, fascia included.
- Recessed. Recess mounted.

Floor Alignment Guide

Floor alignment guides allow for vertical alignment and extra stability of doors.

- Standard Guide. Surface mounted full length guide.
- Recessed Guide. Recess mounted full-length guide.
- 5/8" Recessed Guide. Recess mounted 5/8" wide U-Channel full-length guide.
- Bracket Guides. Small bypass guides. Suited for 2-door bypassing systems.

Dividers

Our doors may optionally be fitted with 1 to 5 horizontal dividers that are finished to match the door frame. Dividers are installed at factory.

Green Building

Perfect for consideration in LEED®-certified projects.



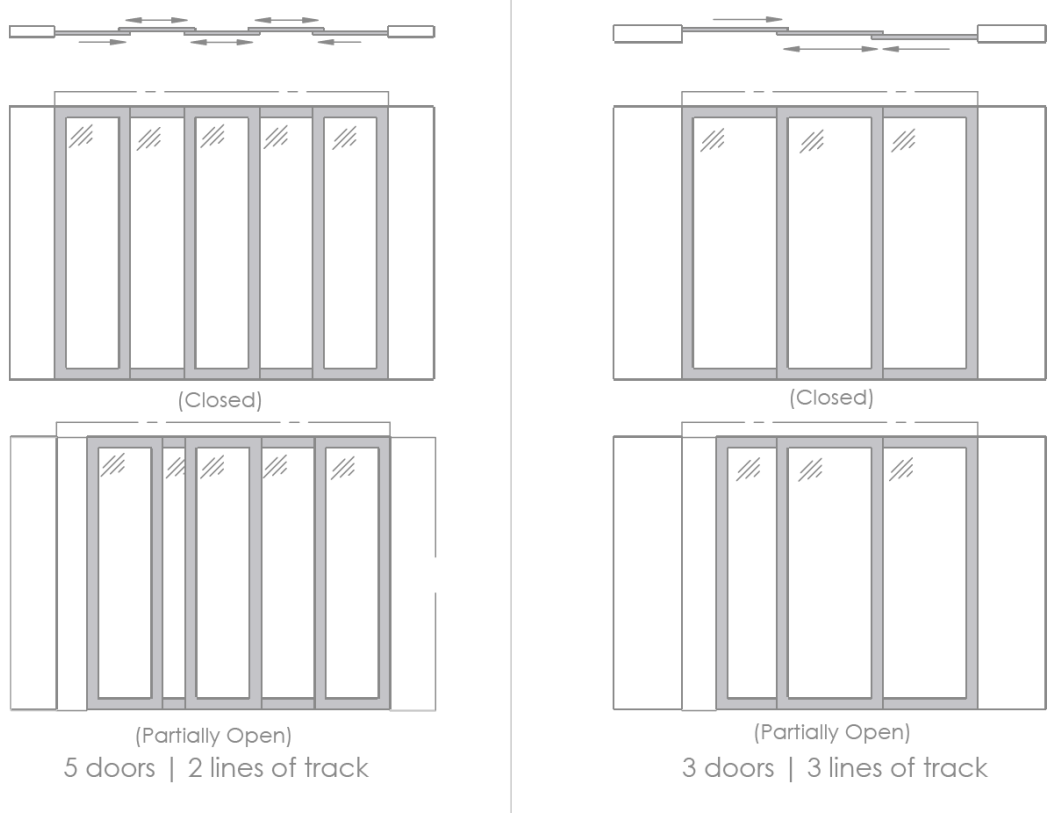
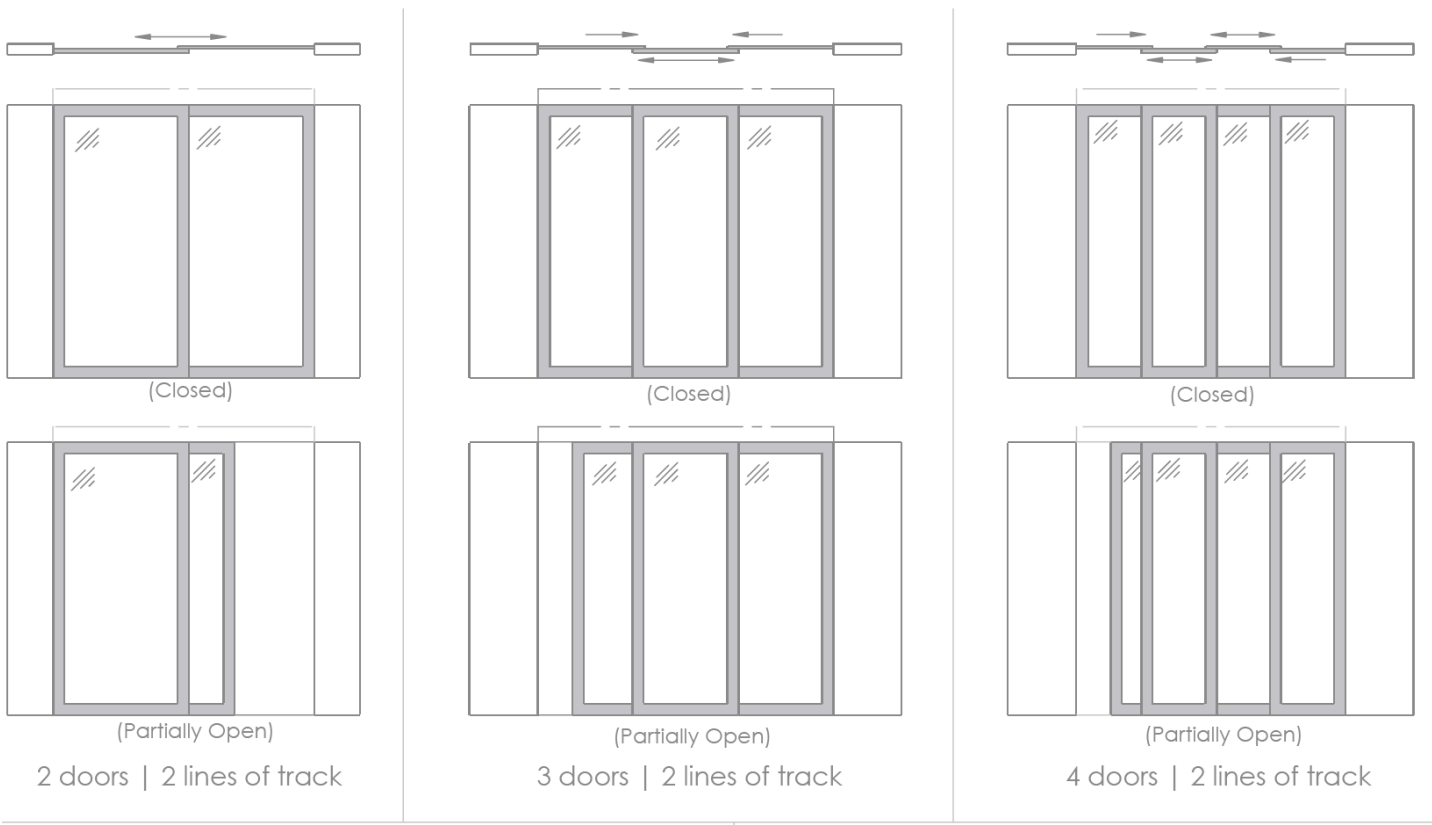
The LEED® (Leadership in Energy and Environmental Design) Green Building Rating System is the nationally accepted benchmark for the design, construction, and operation of high performance green buildings.

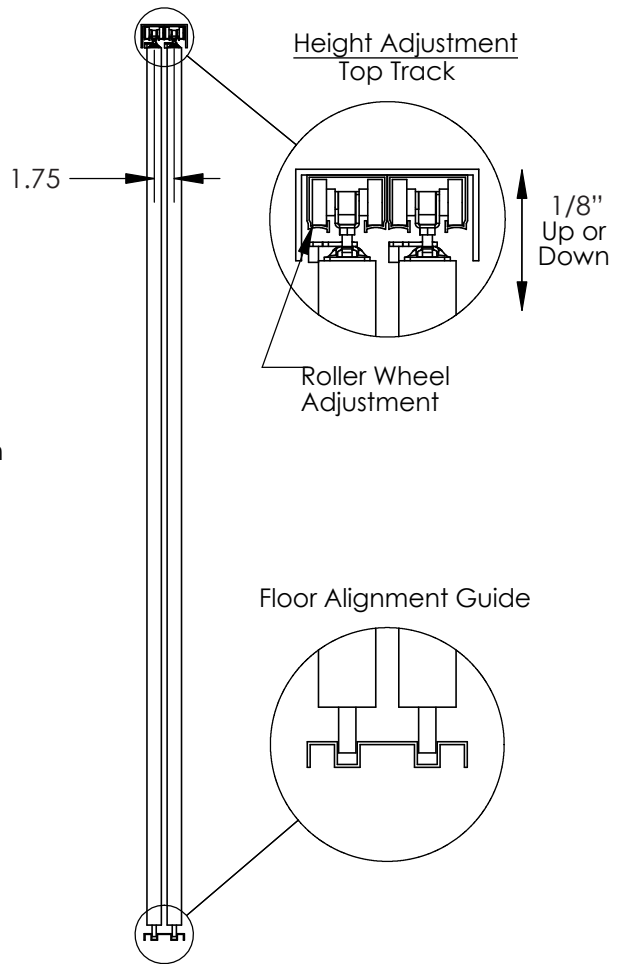
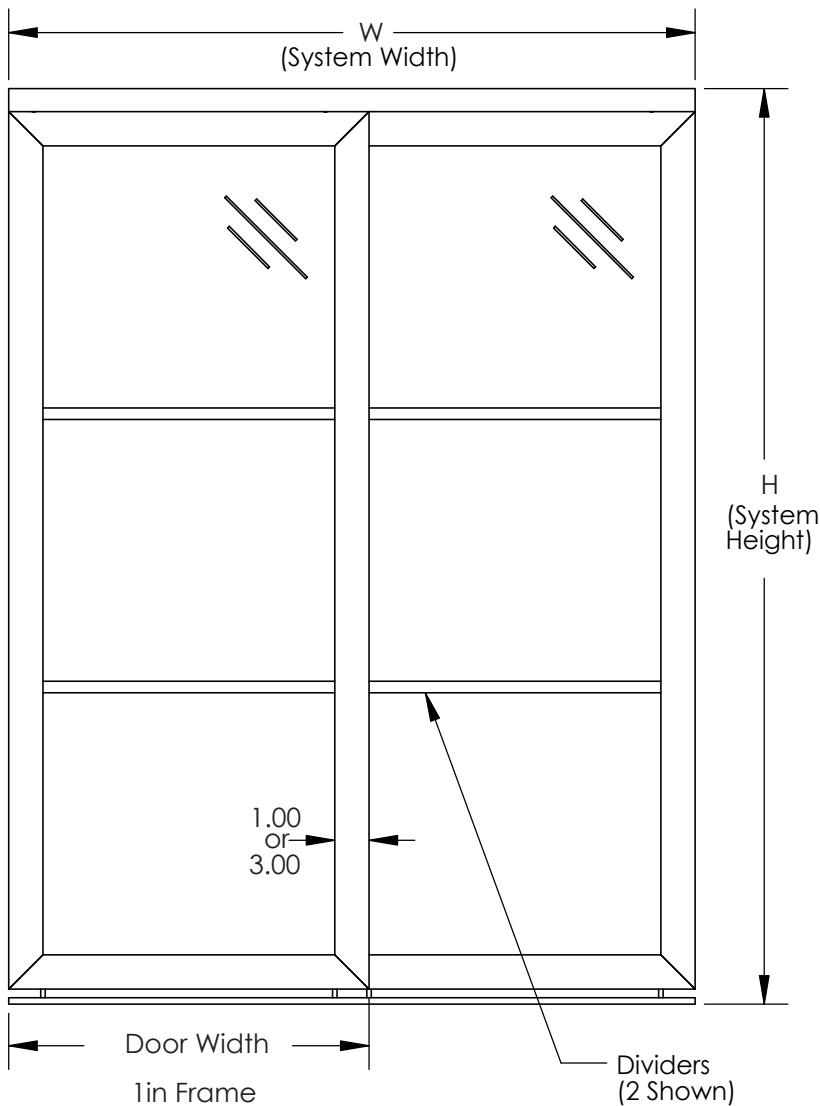
'LEED' is a trademark owned by the USGBC (U.S. Green Building Council).

Made in the USA.

Room Divider	# Doors	# Lines of Track	Opening Width (inches)	Opening Height (inches)	Interlayer	Frame Finish	QuietSlide Track	Floor Alignment Guide	Finger Pulls	Dividers (ea door)
					WNM - Norwegian Maple	AA - Anodized Aluminum	S - Standard	S - Standard	NN - None	0
					WHM - Hardrock Maple	PE - Dark Espresso	R - Recessed	S - Standard	SF - Satin Nickel	1
					WCA - Candlelight	PW - Snow White		R - Recessed	BF - Solid Brass	2
					WPW - Pearwood	PB - Knight Black		8 - 5/8" Recessed	KF - Black	3
					WWC - Wild Cherry			B - Bracket		4
					WCO - Cognac			Guides		5
					WJM - June Mahogany					
					WAW - African Walnut					
					WSY - Symphony					
					WCP - Chocolate Pear					

For a quote, please complete and email to sales@openclosedoors.com



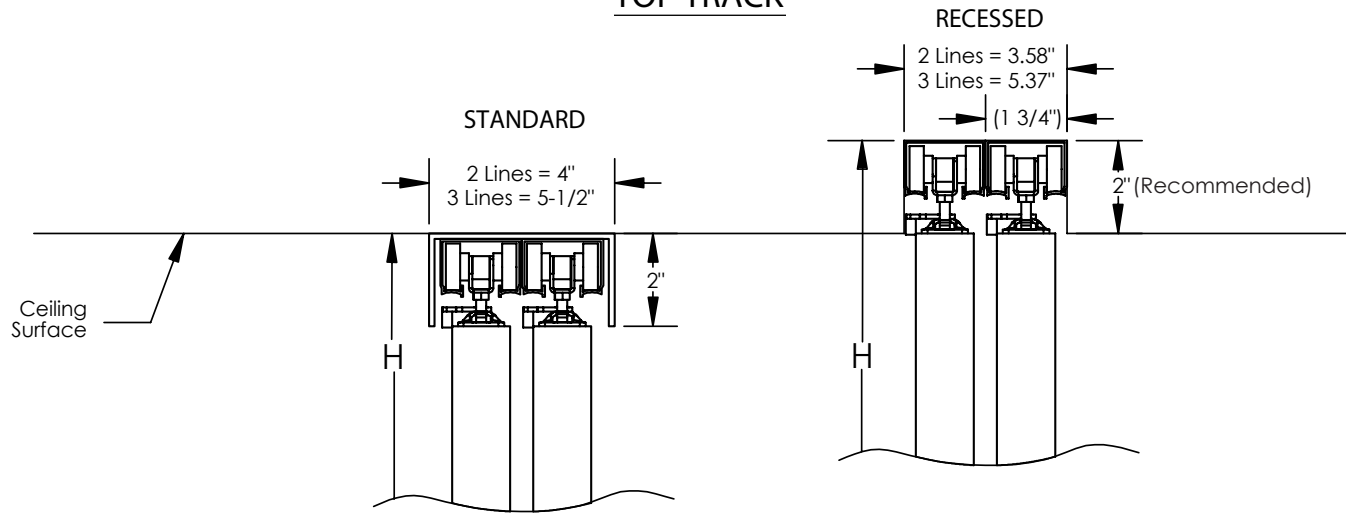


2 Door System = $(W+1)/2$
 3 Door System = $(W+2)/3$
 4 Door System = $(W+3)/4$

3in Frame

2 Door System = $(W+3)/2$
 3 Door System = $(W+6)/3$
 4 Door System = $(W+9)/4$

TOP TRACK



FLOOR ALIGNMENT GUIDE

