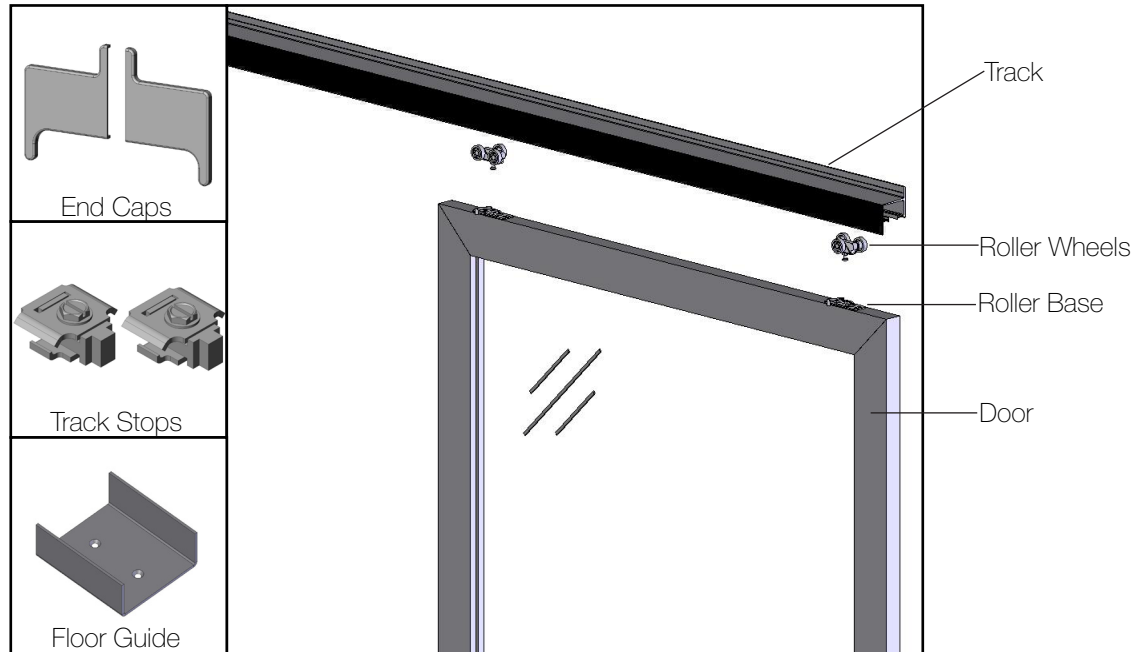


*Read all instructions carefully before installing.

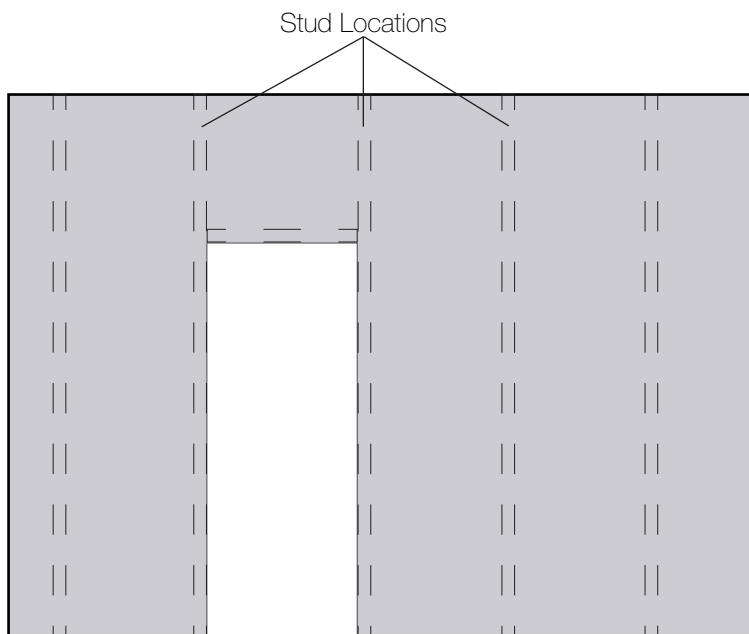
*Warranties may be voided if installation instructions are not accurately followed.

1 Identify Parts.



2 Locate Studs/Mounting Structure.

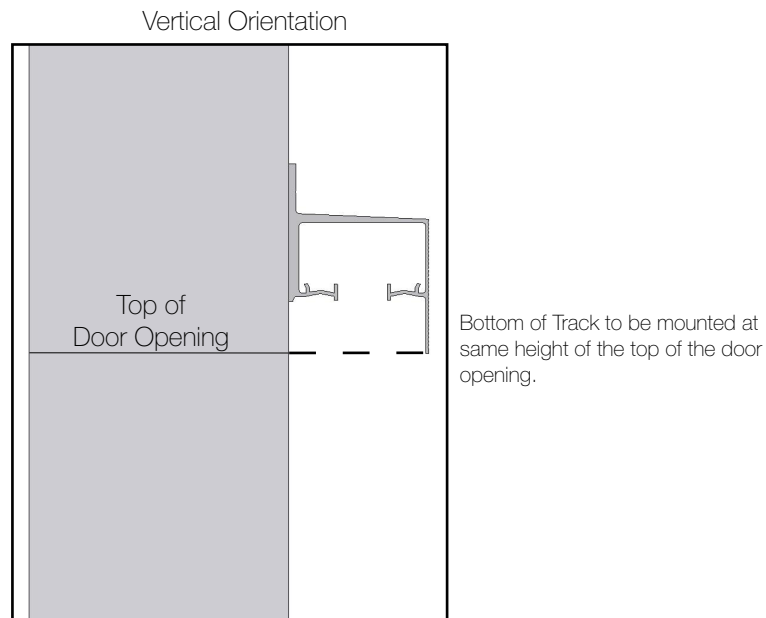
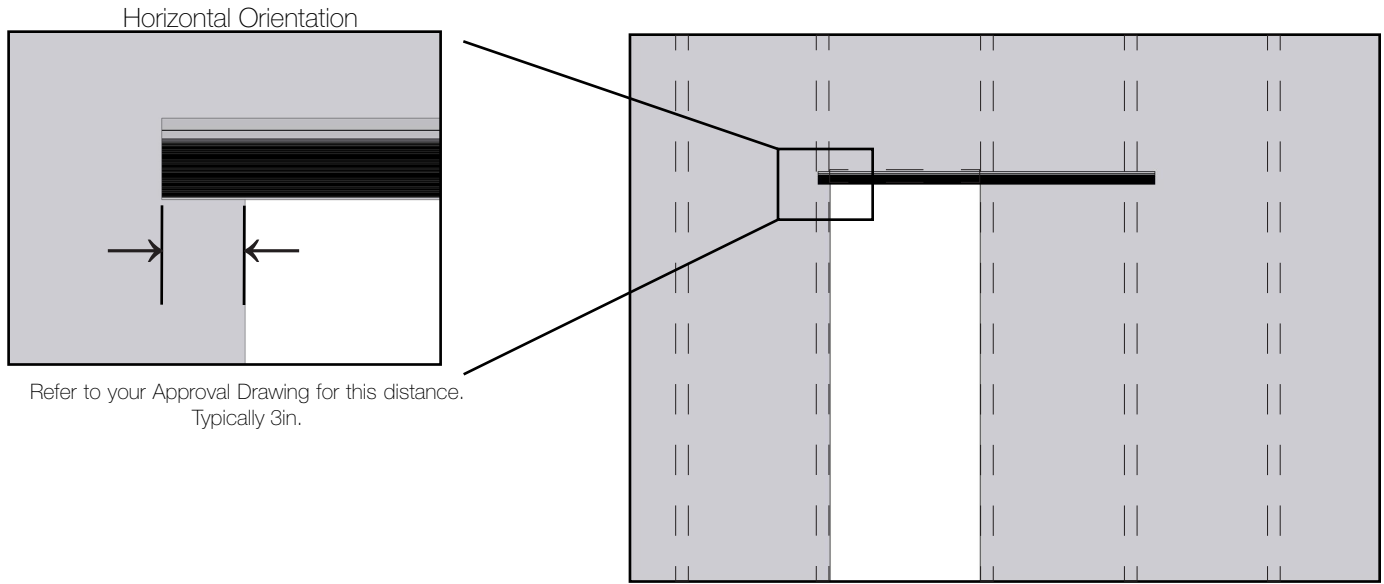
Locate studs or mounting structure for mounting the track to the wall above the door opening and on the intended side of the opening where the door will slide.



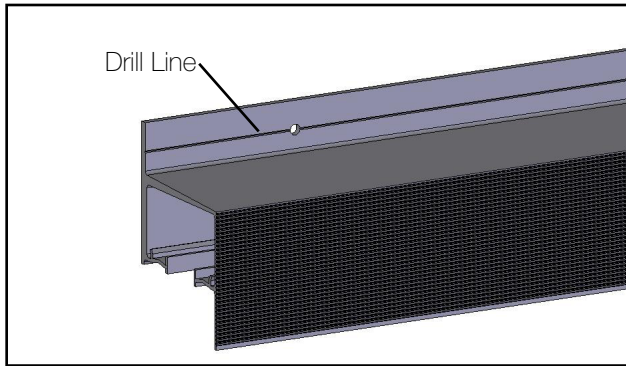
*Installing Contractor/Personnel is responsible for providing secure Mounting Frame/Structure in which to install track. Open | Close Doors is not liable for the installation of door/track systems installed with insufficient Mounting Structures.

3 Position Track on Wall / Determine Stud Crossing.

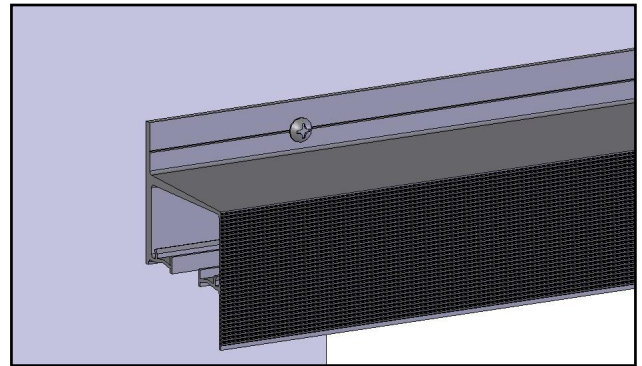
Position the track on the wall, using the horizontal and vertical orientations shown below. Once the position is determined, make note of where the studs align on the track. You may mark this location on the track with a pencil, yet we recommend using masking tape to temporarily mark the location, so the mark is easily visible and the track is not marked on.



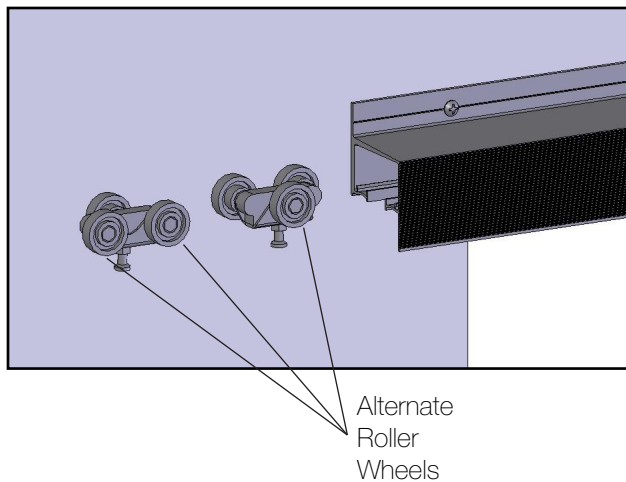
4 Drill Mounting Holes in Track.
 On a flat surface, drill a thru hole in the track on the marked mounting locations along the drill line in the track.



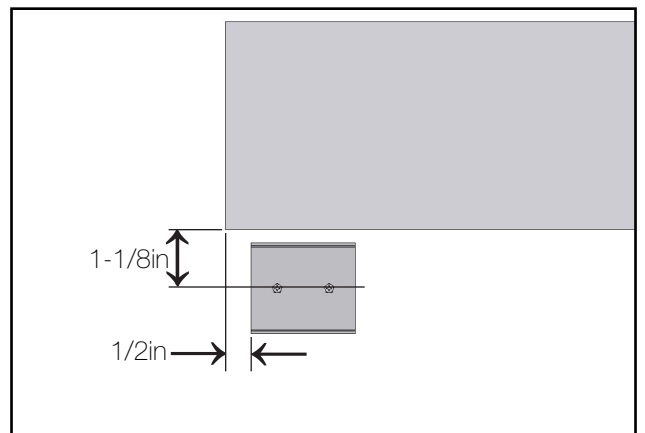
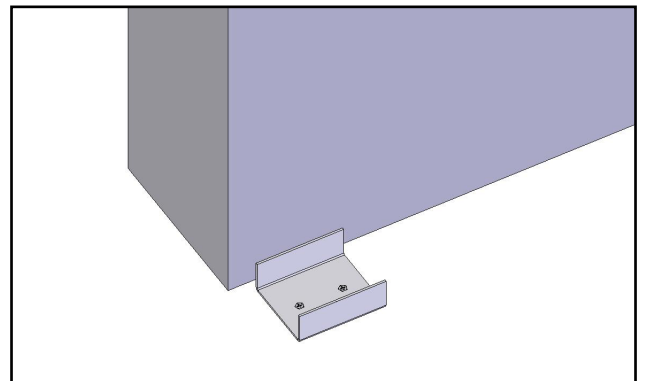
5 Mount Track to Wall.
 Using a drill and mounting screws, mount the track to the wall in the predetermined position, using the drilled thru holes on the track, ensuring the screws align and mount into the wall studs / mounting structure(s).



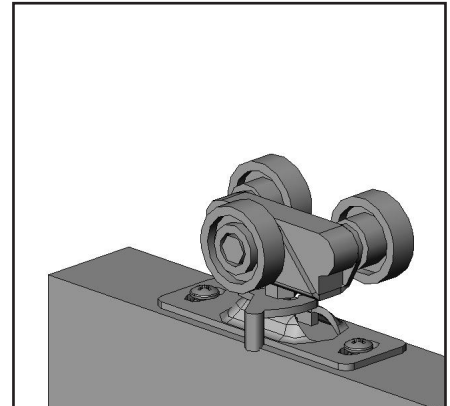
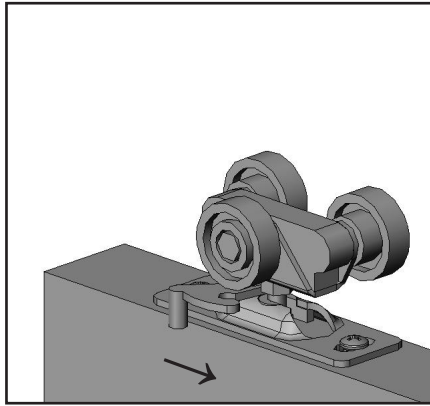
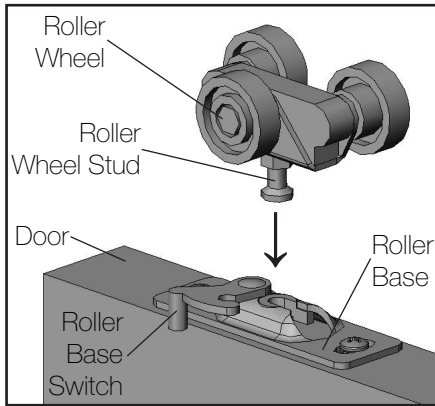
6 Insert Roller Wheels into Track.
 Insert Roller Wheels (2 per Door) into Track. Insert so that each set of Roller Wheels alternate for even weight distribution (see below.)



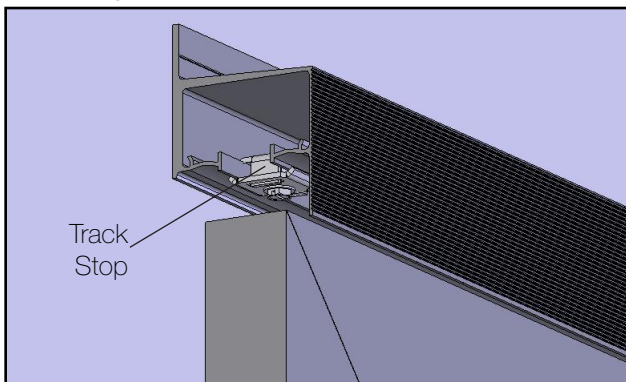
7 Install Floor Alignment Guide.
 Install Floor Alignment Guide into Floor as shown below using 2 screws or adhesive to the flooring surface.



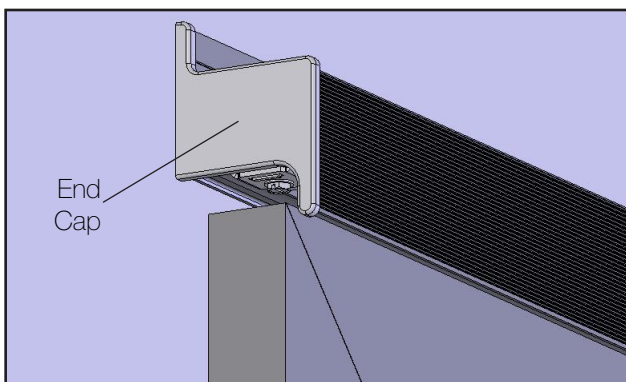
8 Attach Roller Wheels to Doors.
Lift the Door to the Track (NOT SHOWN) and Insert Roller Wheel Stud into Roller Base, making sure to align the bottom of the door in the Floor Alignment Guide. Close Roller Base Switch by moving from left to right. A tight snap should be felt and heard.



9 Install Track Stops.
Install Track Stops (2x) as shown below along any point on the track to stop the door at both ends of the track. Using a screwdriver, tighten the track stops onto the track at the desired points to achieve the optimal required opening and closing locations for the door.



10 Install End Caps.
Install Endcaps, one left and one right, by simply press fitting to either end of the track.



Installation Complete

